

# Cweco

Commercial Washroom Equipment Company Incorporated

P.O. Box 2456, Gardena, CA 90247-0456 310-538-9440

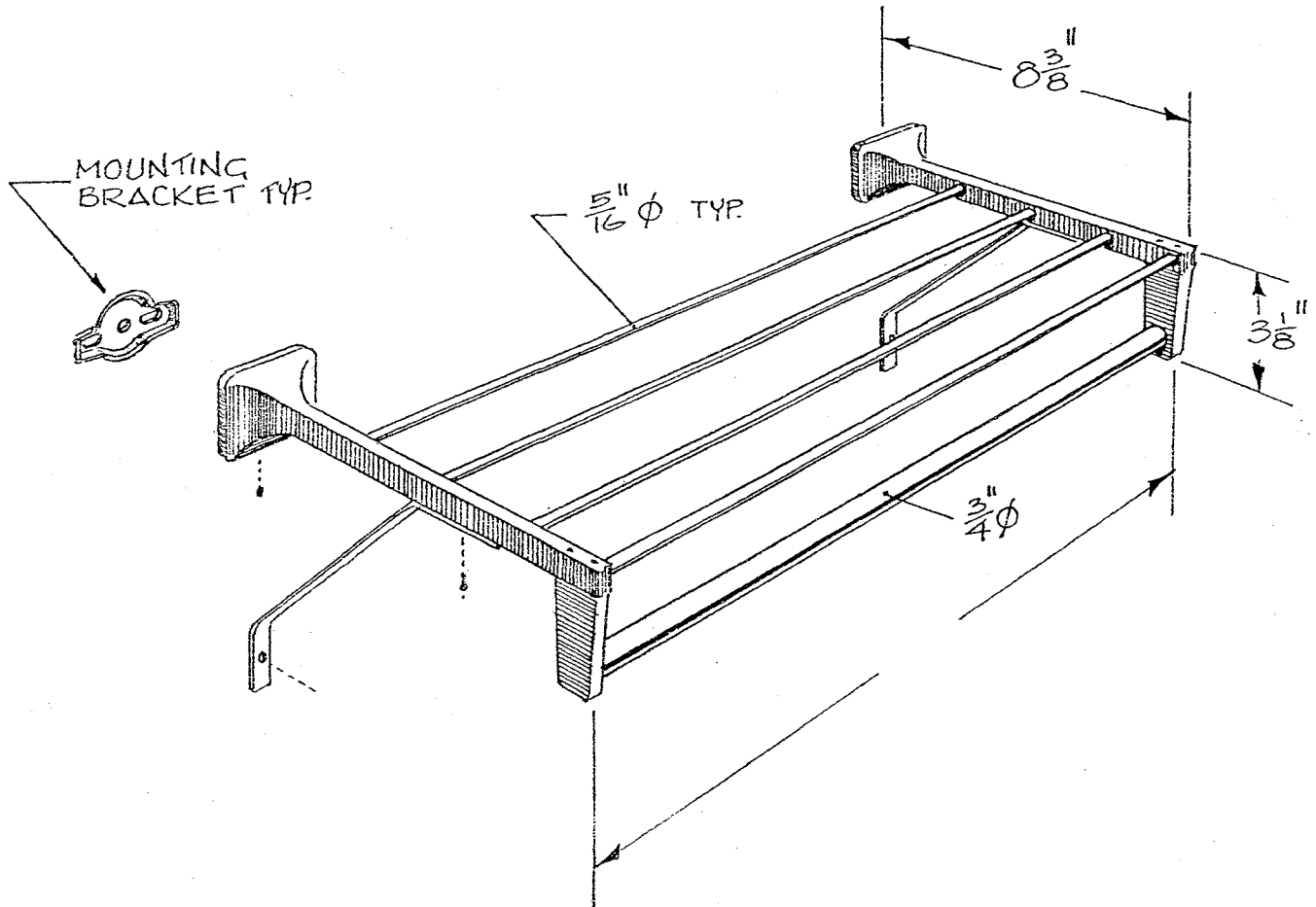
1-800-292-9326 Outside CA FAX: 310-715-9188

FAX 1-800-232-9326

CW1474-18  
CW1474-24

## TOWEL SHELF WITH DRYING ROD

Specify CW1474-18 (18") or CW1474-24 (24")



### CONSTRUCTION:

Brackets are chrome plated zinc die-cast (zamak) designed for concealed screw mounting. Shelf rods are 5/16" round x .012 type 430 polished stainless steel.

Drying rod is 3/4" round x .012 type 430 polished stainless steel.

Braces are 1/8" thick x 3/8" wide chrome plated zinc die-cast (zamak).

### INSTALLATION:

Secure metal wall plates to studs or solid backing with mounting screws provided. Slip brackets over wall plates and tighten set screws until secure. Install braces with mounting screws provided.

### SPECIFICATION:

Towel shelf with drying rod shall be model CW1474-18 or CW1474-24 by CWECO, Inc.